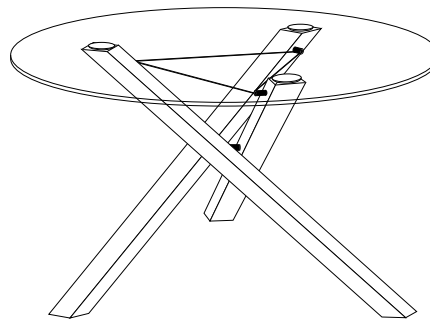
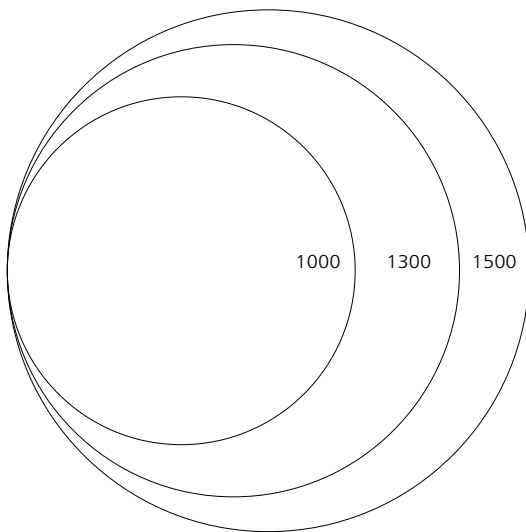
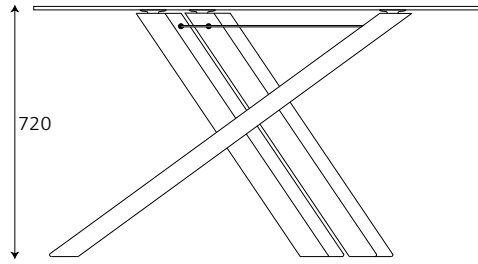
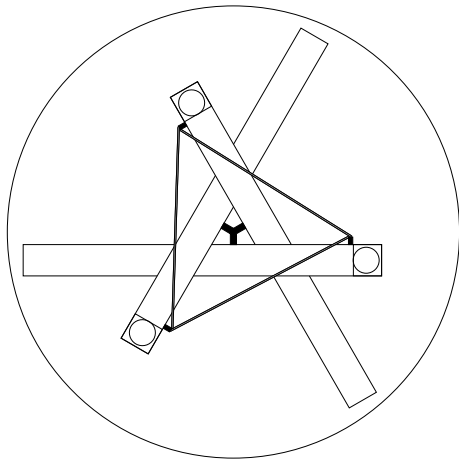


TS Series Tables



Structurally these tables resemble the TR series which pre date them. Designed originally with glass tops, solid ash tops are now an option.

The base is rectangular section ash, joined with a tubular "Y" shaped steel spider, and braced below the top with stainless steel cable. The 10 mm toughened glass tops are mounted on grey rubber suction pads. It is so strong that when you lift the top, the legs come too. They also dampen the sound and protect the glass from shock. When the suction is released, the top is removed, and the legs fold away.

Solid ash tops are elegantly thin at 25 mm, and are fixed to the base with recessed bolts for easy removal.

